



# Product details

**09 67 000 8277**

## **Female crimp contacts**

Contact gender	stamped female contacts
Wire gauge	AWG 24-20; 0.5 - 0.56 mm <sup>2</sup>
Performance Class	Performance Level 3
Packaging	Individual contacts
Application	browsing..
Type	R 23
RoHS compliant	Yes

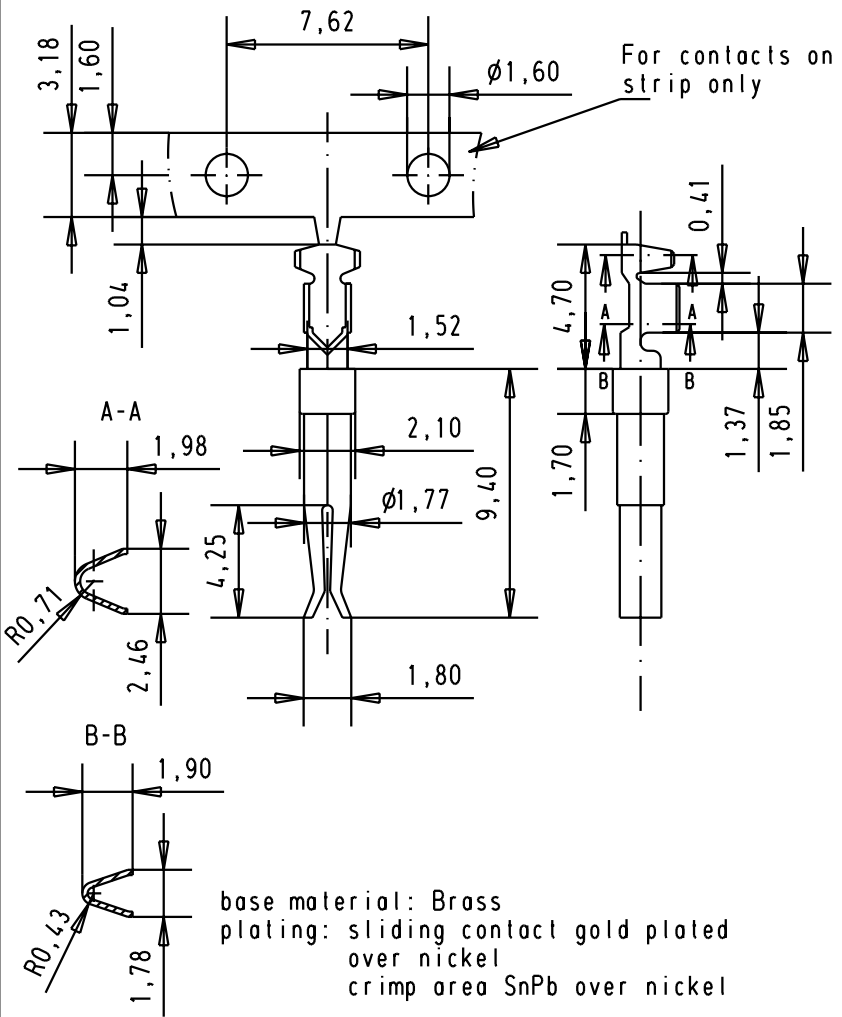
5

4

3



2

1



STAMPED FEMALE CRIMP CONTACTS				
Number of contacts/bag	Wire gauge AWG	PL S4	PL 3	PL 2
500	AWG 20-24	0967 000 8275	0967 000 8277	0967 000 8278

base material: Brass  
 plating: sliding contact gold plated over nickel  
 crimp area SnPb over nickel

				Dat.	Name	 All Dim. in mm Orig. Size DIN A 4	D-Sub, Stamped Female crimp Contacts AWG 20-24 500/bag	Maßstab/ Scale 3.5:1
			Detail.	24-MAR-03	PP			
			Insp.					
			Stand.					
31476	24-MAR-03	PP	HARTING EURL F-95972 Paris				TB 0967 000 827X	Blatt/ Page 1 /
Mod.	Dat.	Name						